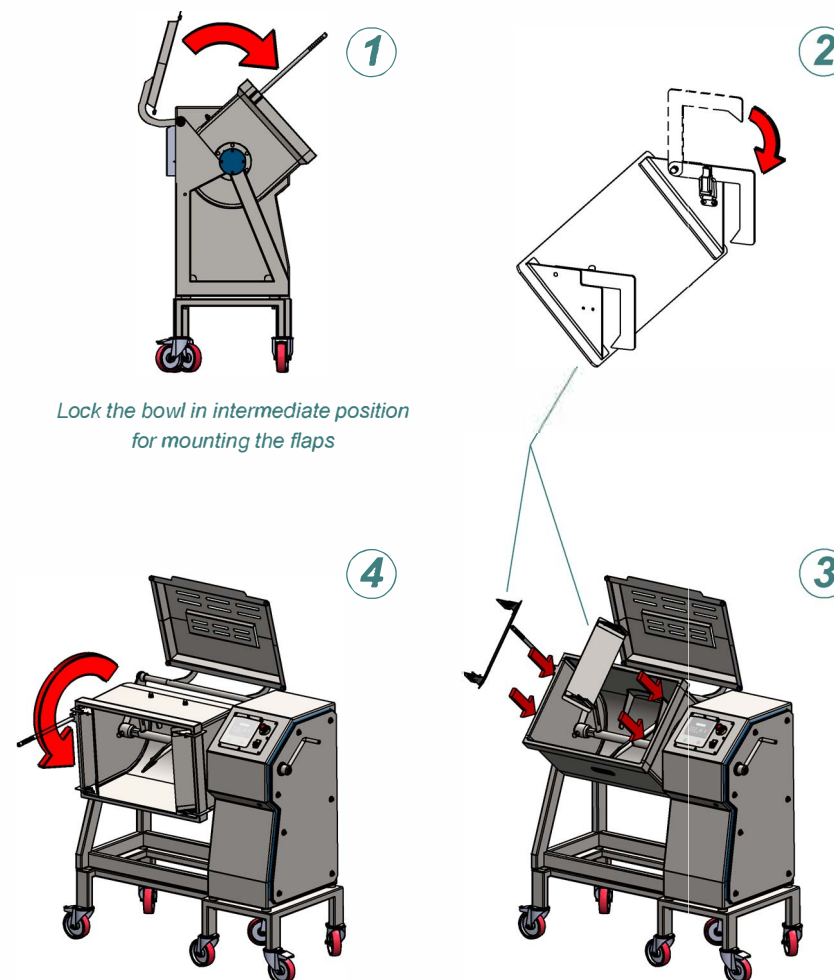
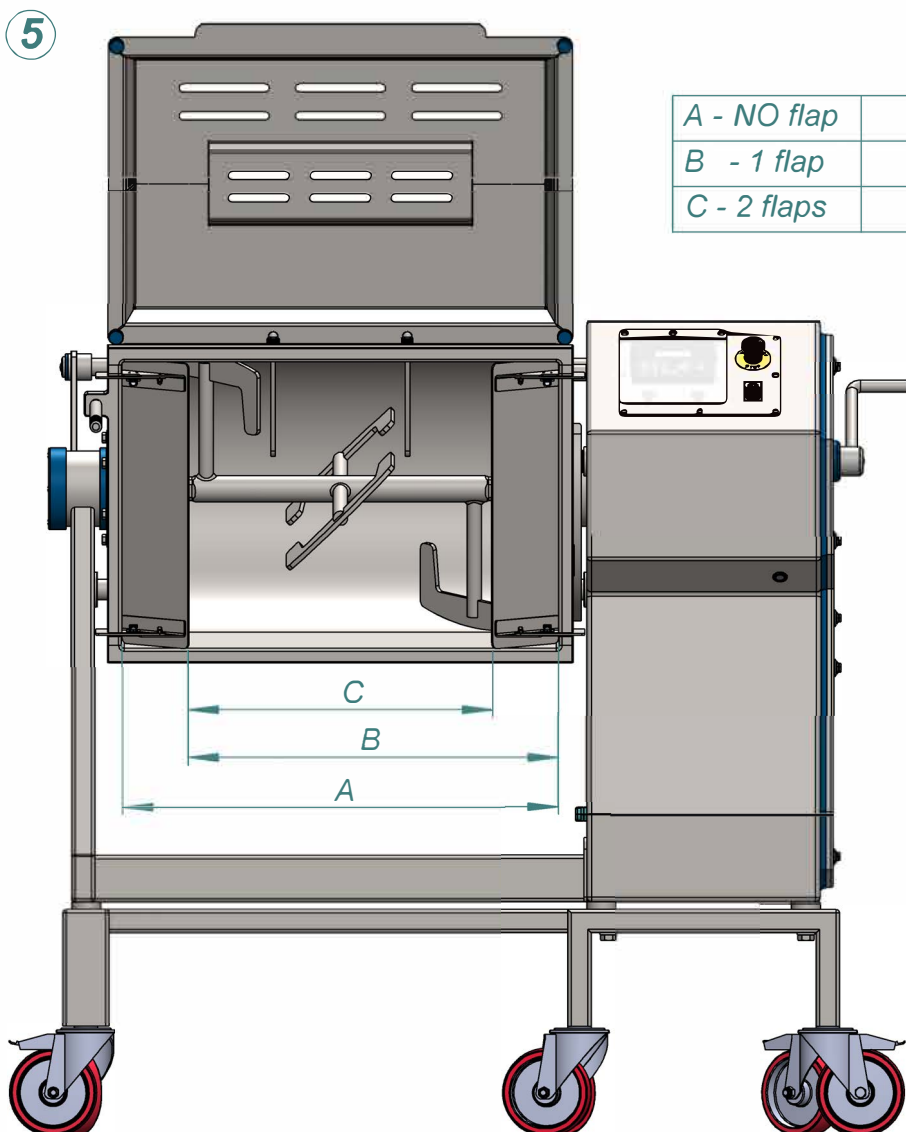


		MAINCA RC-200 MIXER DIMENSIONS							
mm	A	B	C	D	E	F	G	L	Kg
1	1135	650	1485	650	1340	475	870	200	±130
2	1335	650	1485	653	1370	675	870	200	±130
3	1265	650	1485	815	1505	605	870	200	±130
4	1465	650	1485	805	1540	805	870	200	±130
5	1315	650	1485	815	1505	653	870	200	±130



WARNING:

The use of optional flaps is only indicated for unloading the bowl. Under no circumstances should they be fitted during the mixing - kneading process.